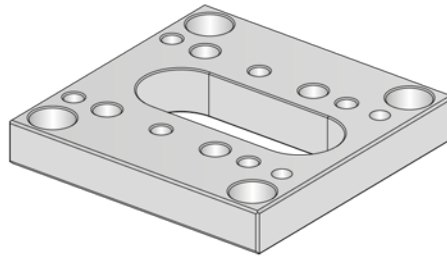
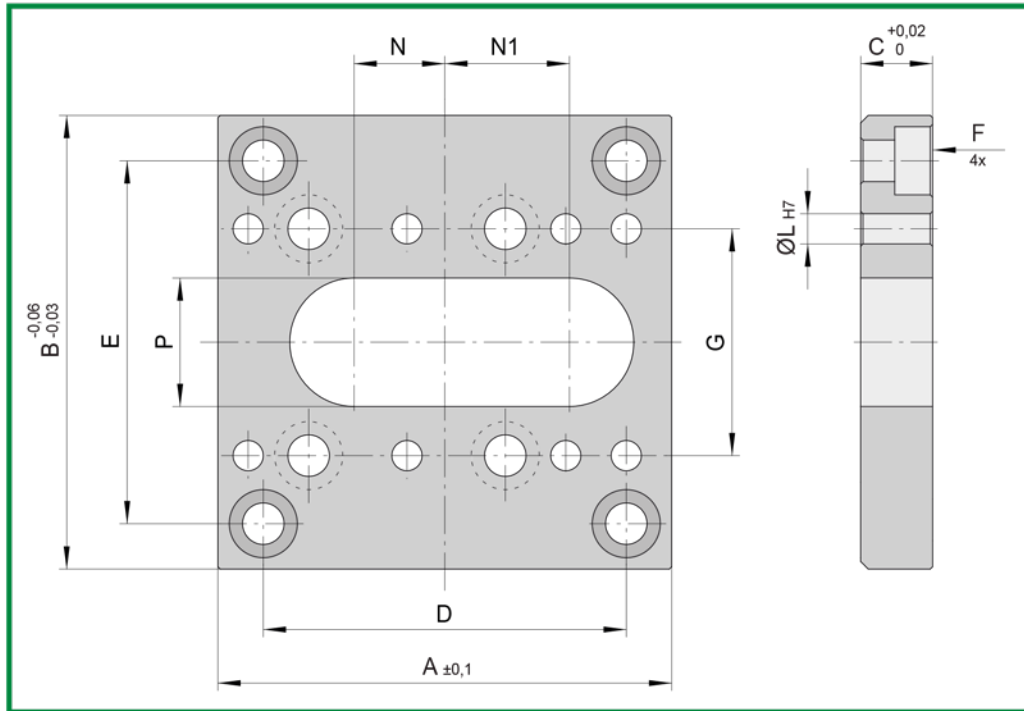


SLIDING PLATE SET 30



CODE: **PS30..**



CODE	A	B	C	D	E	F	G	L	N	N1	P
PS30160	150	160	14,5	120	120	M10	64	10	45	49	34
PS30180	150	180	14,5	120	120	M10	64	10	45	49	34
PS30200	150	200	14,5	120	140	M10	64	10	45	49	34

Mat.: Carbon steel. Hardness:430 HV05

Nitrided depth 0,3mm.

Available covered with solid antifriction lubricating.

