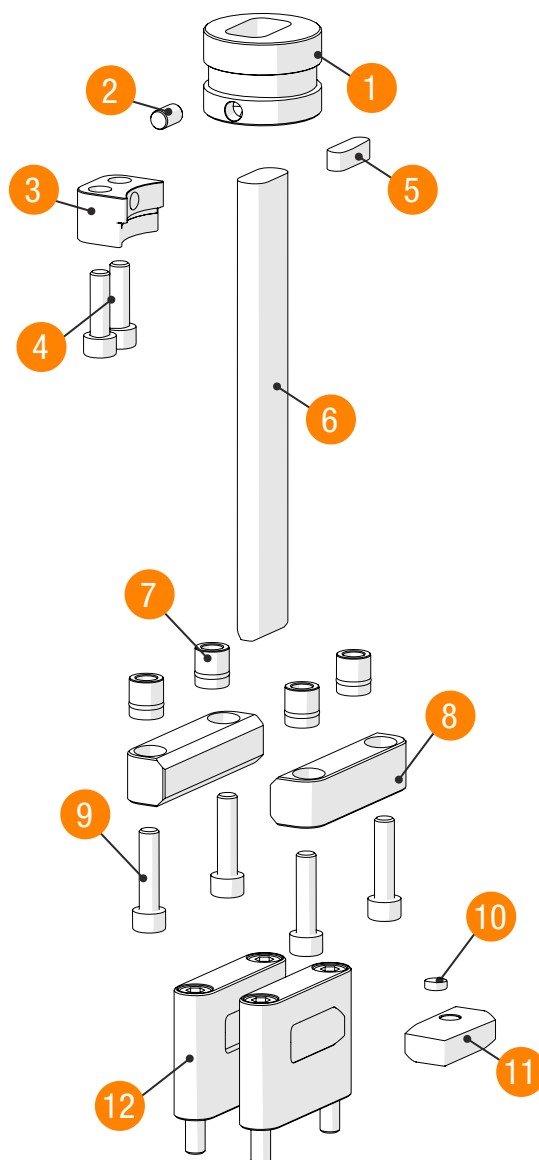


CUMSA

INNOVATIVE SOLUTIONS
FOR YOUR MOLDS



CAVITY UNDERCUT - CU

ID	Description	CU.203660	ID	Description	CU.203660
1	Top Bushing	9CU203660-A	7	Bushing	ZBS016
2	Pin Ø6x10	1PCI6325610	8	Slide Guide	9CU203660-E
3	Bushing Fixing	9BF241215	9	Fixing Screws (x2)	1DIN912625
4	Fixing Screw (x2)	1DIN912620	10	Camfinger Magnet	3IMAN6x2
5	Key 6x20	1DIN6885620	11	Camfinger	9CU203660-D
6	Central Rod	9CU203660-B	12	Core Guide Set	9CU203660-CC

*Supplied individually