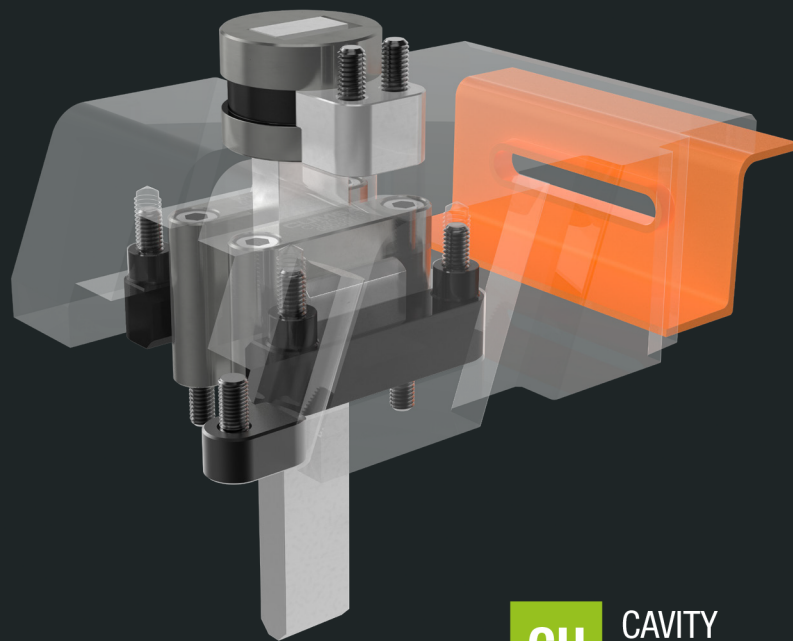


CUMSA

INNOVATIVE SOLUTIONS
FOR YOUR MOLDS

SIMPLIFY COMPLEX CAVITY UNDERCUTS



CU CAVITY
UNDERCUT

100% MECHANICAL SOLUTION

SLIDES

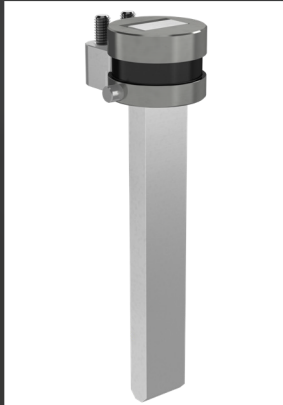
EN

ADAPTABLE CONCEPT TO ANY KIND OF SLIDE!



3 DIFFERENT COMPONENTS IN 3 DIFFERENT PARTS

Cavity Components



Core Components



Slide Components



HOW DOES IT WORK?

Mold Closed



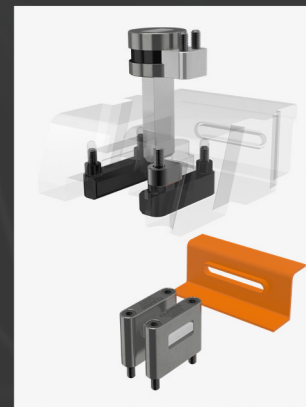
Molten plastic is injected into the mold, filling the cavity and taking its shape. Once the part is solidified and the mold is ready to open, the magic can begin.

1st movement

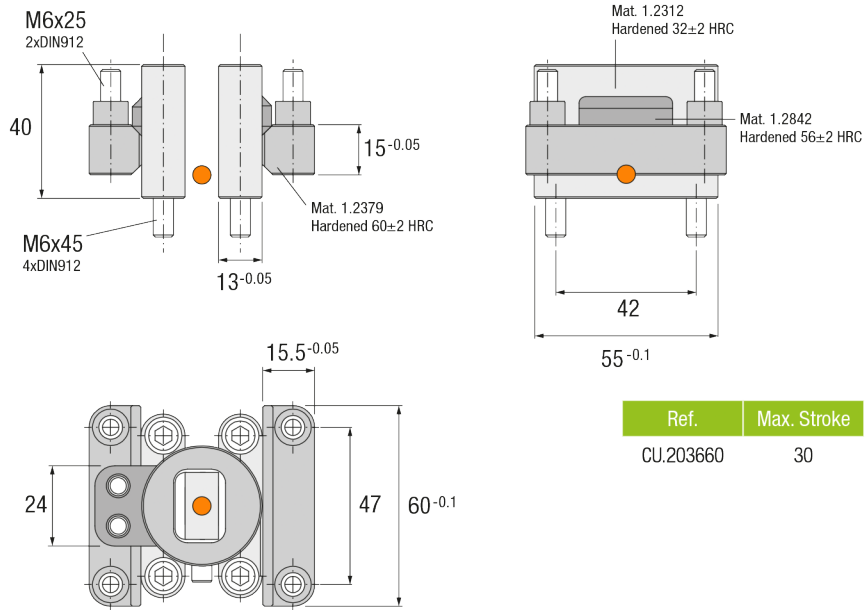
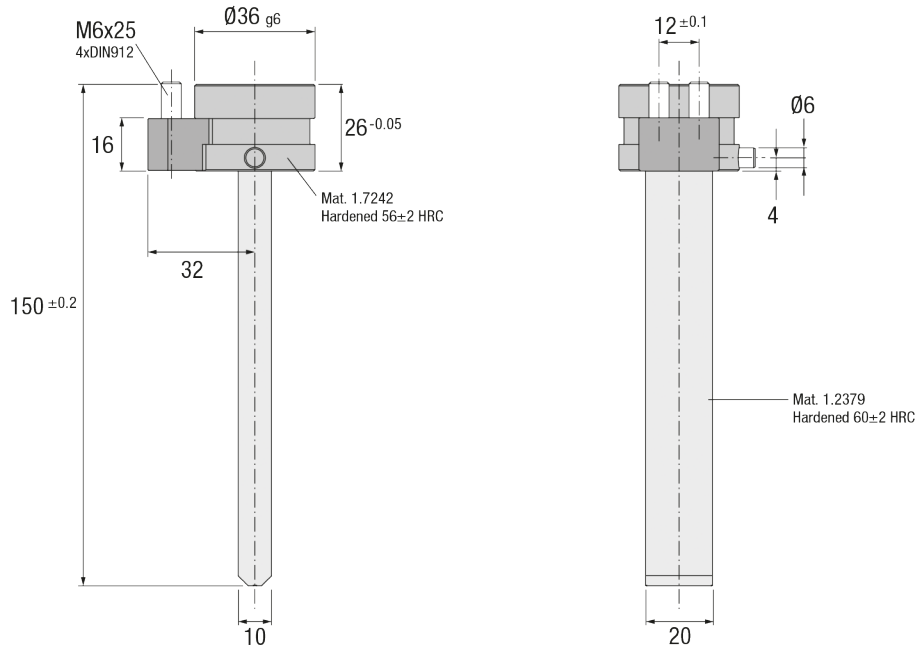


The slide shifts into its final position and stays open, releasing the undercut with precision.

2nd movement

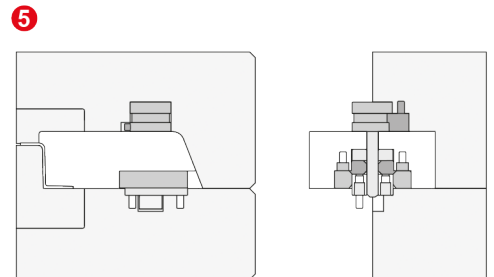
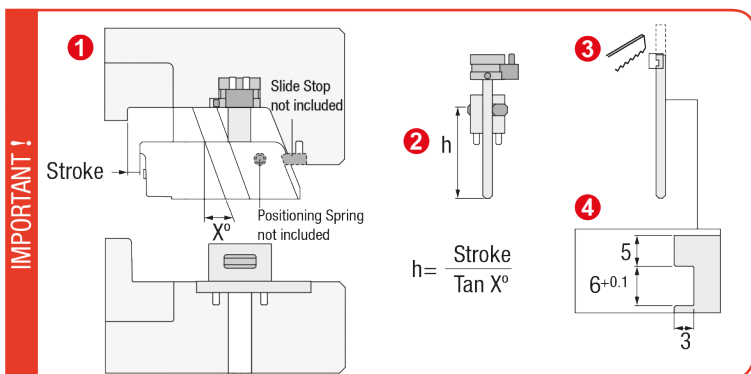


The mold continues to open, allowing the ejectors to release the plastic part. Once ejection is complete, the mold closes and the cycle starts again.



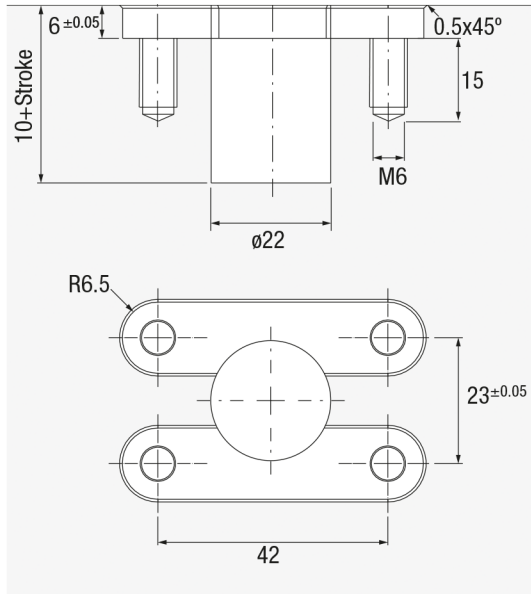
Installation Guidelines

Consejos de Instalación · Richtlinien zur Installation · Consigli di Installazione · Instruções de Instalação · Mode d'Installation



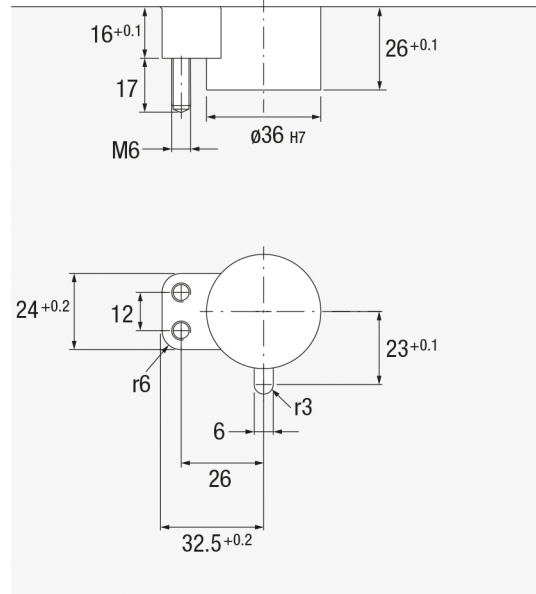
Core Housing

Alojamiento Placa Punzón · Kerngehäuse · Sede nel Punzone
Alojamiento Bucha · Logement dans l'empreinte



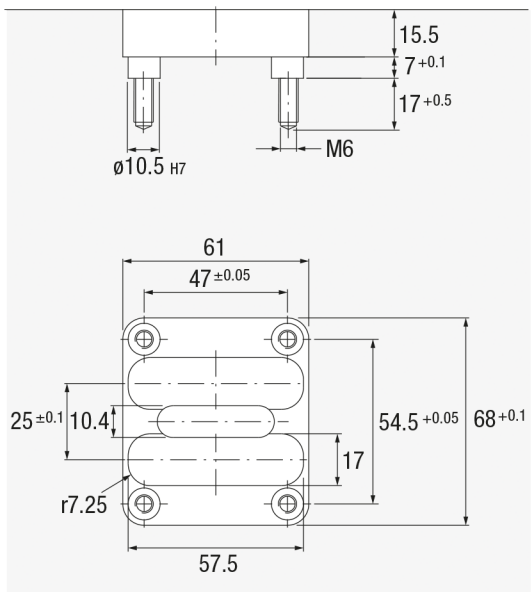
Cavity Housing

Alojamiento Placa Cavidad · Kavitätsgehäuse · Sede piastra cavità ·
Alojamiento na Cavidade · Logement dans l'empreinte



Slide Housing

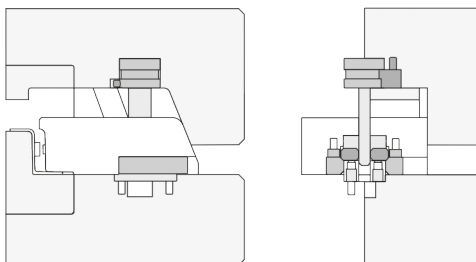
Alojamiento Corredera · Schiebergehäuse · Sede nel Punzone
Alojamiento Bucha · Logement dans l'empreinte



Installation Guidelines

Consejos de Instalación · Richtlinien zur Installation · Consigli di Installazione · Instruções de Instalação · Mode d'Installation

6



7

