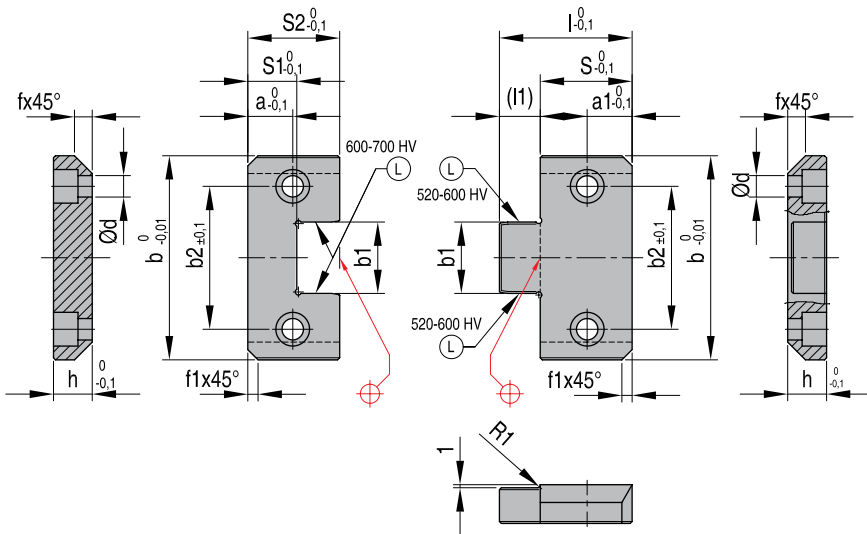


Mat.: 1.7131

L = Lamcoated® (Ws2)

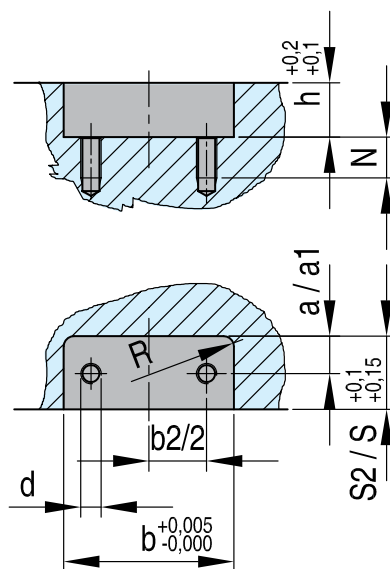


Mat. 1.7131 - 56-57 HRC

Mat. 1.7131 - 56-57 HRC

REF	b	b2/2	d	S2	S	N	a	h	a1	b1	b2	f	f1	l	l1	S1	≤R
FW45040	40	11,0	M5	27	17	12	6,0	10,0	8,5	14,0	22	6,5x45°	2,5x45°	31	14	12	6,5
FW45050	50	16,0	M6	36	17	15	8,5	12,5	8,5	20,0	32	6,5x45°	3x45°	35	18	17	6,5
FW45075	75	22,5	M10	46	22	20	11,0	20,0	11,0	31,5	45	11x45°	3x45°	45	23	22	11,0
FW45100	100	31,0	M12	56	27	25	13,5	25,0	13,5	40,0	62	13x45°	5x45°	55	28	27	13,0
FW45125	125	43,5	M12	66	36	25	18,0	31,5	18,0	50,0	87	13x45°	5x45°	65	29	36	13,0

INSTALLATION



CAD reference point