



Gripper arms | Suction fingers

Suction fingers for vacuum cups – rigid

Suction fingers for vacuum cups – rigid



Product notes

- > Components for mounting vacuum cups
- > Two vacuum ports

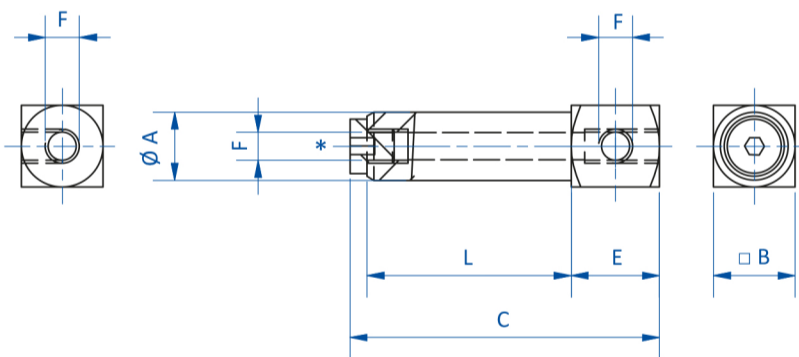
Technical data

Item no.	Weight [g]
GR03.001A	11
GR03.002A	16
GR03.003A	22
GR03.006	13
GR03.007	18
GR03.009	24
GR03.010A	27
GR03.011A	39
GR03.012A	49
GR03.036	64
GR03.037	100
GR03.038	137
GR03.039	203

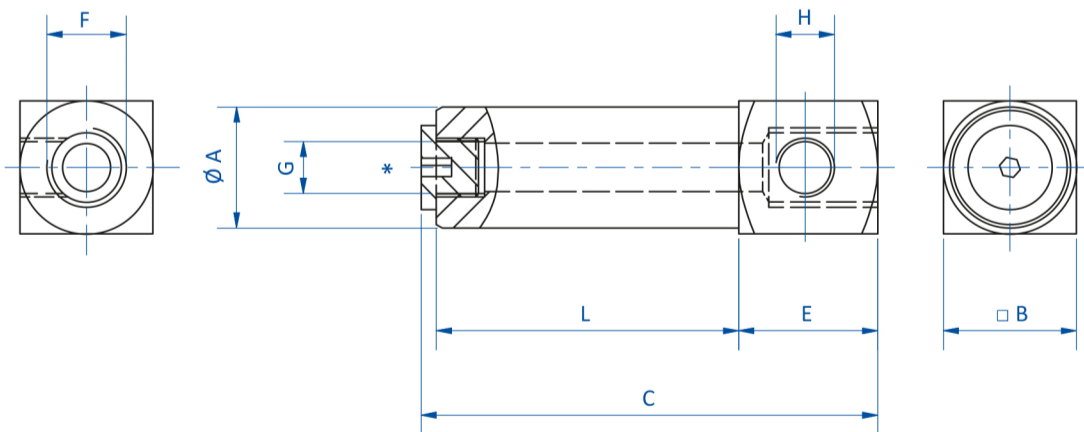
Dimensions

$\varnothing A$ [mm]	F	G	H	$\square B$ [mm]	E [mm]	C [mm]	L [mm]
10	M5	--	--	12	13	45.5	30
10	M5	--	--	12	13	75	60
10	M5	--	--	12	13	105	90
10	G1/8	M5	M5	14	18	50	30
10	G1/8	M5	M5	14	18	80	60
10	G1/8	M5	M5	14	18	110	90
14	G1/8	--	--	16	20	67.5	45
14	G1/8	--	--	16	20	112.5	90
14	G1/8	--	--	16	20	152.5	130
20	G1/4	G1/8	G1/8	22	23	75.5	50
20	G1/4	G1/8	G1/8	22	23	125	100
20	G1/4	G1/8	G1/8	22	23	175.5	150
30	G1/4	--	G1/4	30	30	230	200

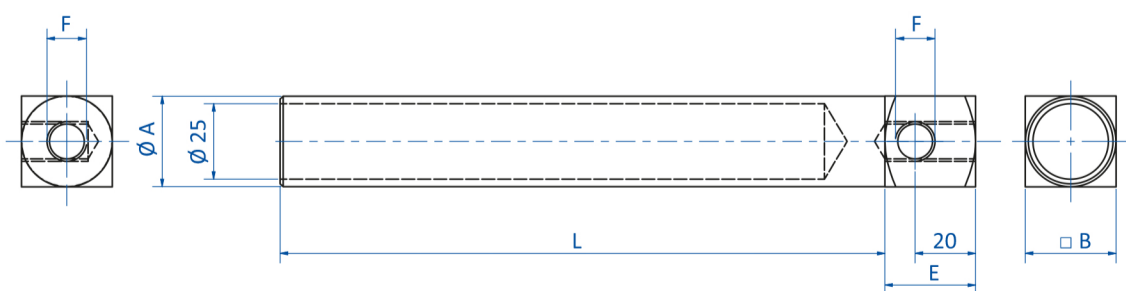
Dimensions



GR03.001A | GR03.002A | GR03.003A | GR03.010A | GR03.011A | GR03.012A



GR03.006 | GR03.007 | GR03.009 | GR03.036 | GR03.037 | GR03.038



GR03.039

* = Alternative vacuum connection