



Suction fingers – adjustable



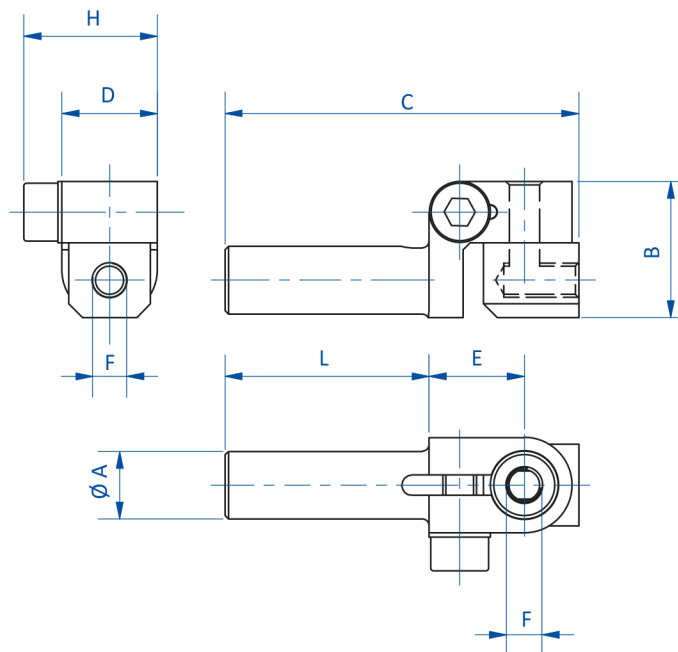
Product notes

- > Adjustable head for mounting and aligning vacuum cups with part contours
- > Angle adjustment +/- 100°
- > Up to 50 % less weight compared to standard version
- > Heads are interchangeable with the heads of elbow arms GR02.240 - GR02.242, GR02.250 - GR02.252, GR02.260 - GR02.262

Technical data

Item no.	Weight [g]
GR03.240	15
GR03.241	18
GR03.242	21
GR03.250	29
GR03.251	37
GR03.252	46
GR03.260	57
GR03.261	71
GR03.262	86

Dimensions



Item no.	Ø A [mm]	F	B [mm]	C [mm]	D [mm]	E [mm]	H [mm]	L [mm]
GR03.240	10	M5	20	52	14	14	19.6	30
GR03.241	10	M5	20	82	14	14	19.6	60
GR03.242	10	M5	20	112	14	14	19.6	90
GR03.250	14	G1/8	28	71	18	16	23.6	45
GR03.251	14	G1/8	28	116	18	16	23.6	90
GR03.252	14	G1/8	28	156	18	16	23.6	130
GR03.260	20	G1/4	33	82	24	19	29.6	50
GR03.261	20	G1/4	33	132	24	19	29.6	100
GR03.262	20	G1/4	33	182	24	19	29.6	150