

Spring levelers

Non-rotating spring levelers - threaded body

Non-rotating spring levelers - threaded body



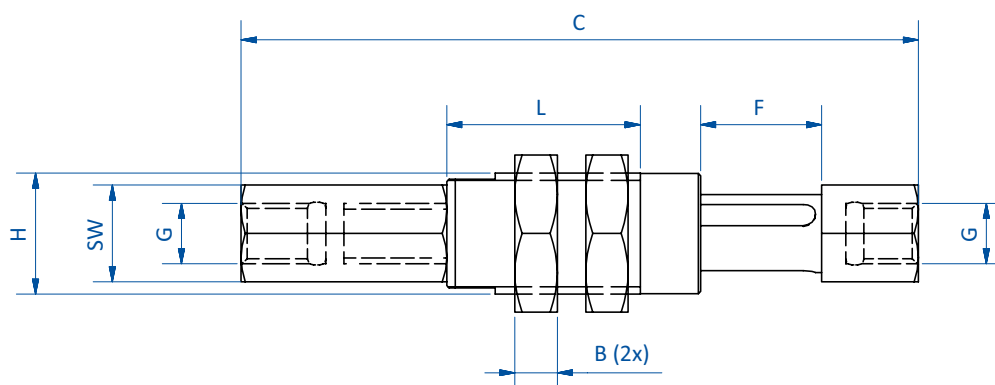
Product notes

- > Free moving and high-load capability with ball guide technology
- > Flexible mounting via threaded body
- > Body and rod made of anodised aluminium

Technical data

Item no.	Lift [mm]	Weight [g]
GR03.1010T	10	11
GR03.1025T	25	13
GR03.1210T	10	15
GR03.1225T	25	20
GR03.1620T	20	35
GR03.1635T	35	45
GR03.2025T	25	63
GR03.2050T	50	90
GR03.2540T	40	170
GR03.2580T	80	235

Dimensions

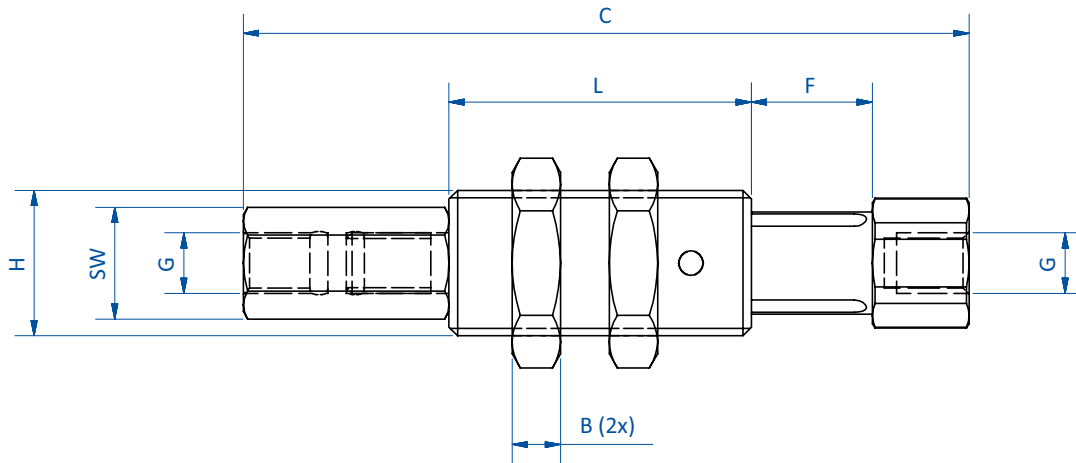


GR03.1010T | GR03.1025T

Spring levelers

Non-rotating spring levelers - threaded body

Dimensions



GR03.1210T | GR03.1225T | GR03.1620T | GR03.1635T | GR03.2025T | GR03.2050T | GR03.2540T | GR03.2580T

Item no.	H	B [mm]	C [mm]	L [mm]	G	F [mm]	SW
GR03.1010T	M10x1	3.5	56	16	M5	10	8
GR03.1025T	M10x1	3.5	90.5	35.5	M5	25	8
GR03.1210T	M12x1	4	60	25	M5	10	8
GR03.1225T	M12x1	4	94	44	M5	25	8
GR03.1620T	M16x1	5	98.5	38.5	G1/8	20	12
GR03.1635T	M16x1	5	135	58.5	G1/8	36.5	12
GR03.2025T	M20x1.5	6	113	50	G1/4	25	16
GR03.2050T	M20x1.5	6	170.5	82.5	G1/4	50	16
GR03.2540T	M25x1.5	8	159	71	G3/8	40	22
GR03.2580T	M25x1.5	8	249	121	G3/8	80	22