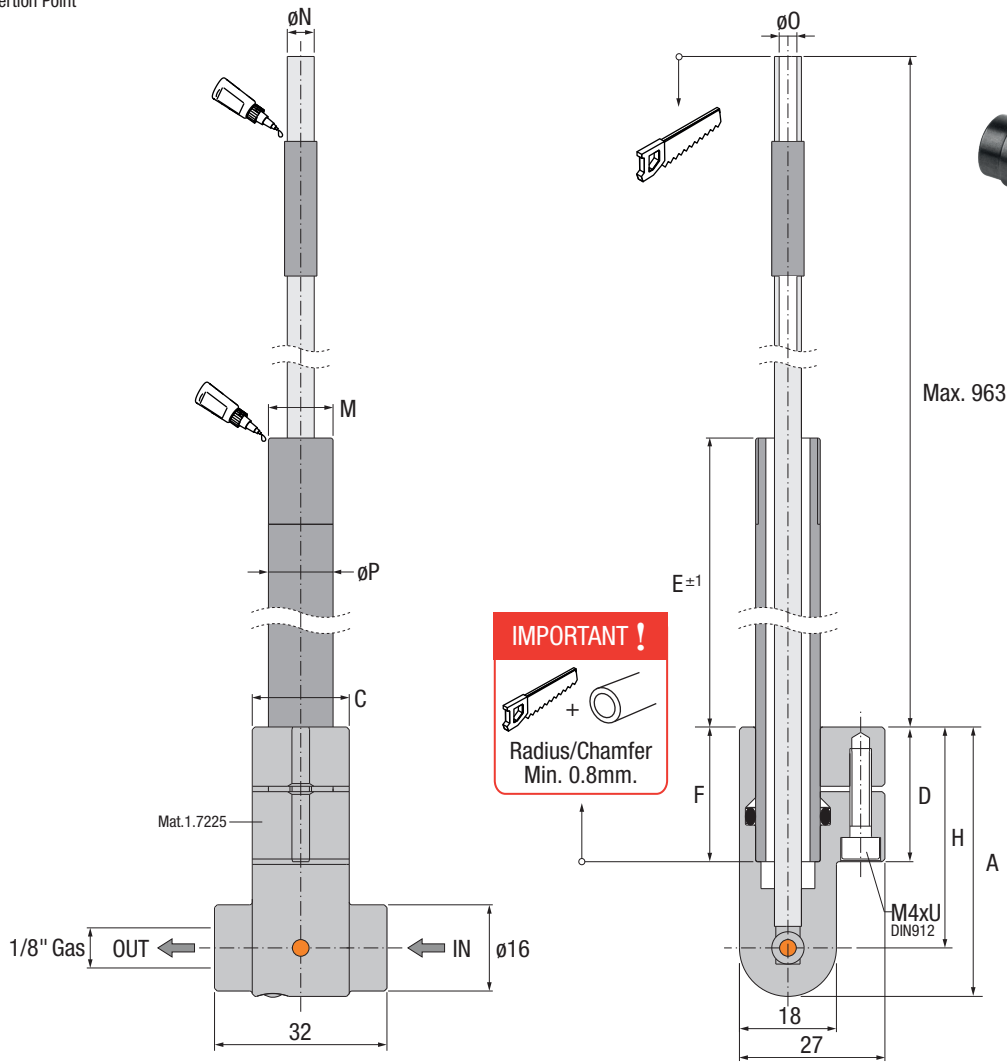


KR COOLING HOSE

ES Tubo Refrigeración KR DE KR Kühlungsschlauch

IT Sistema Refrigerazione KR PT Tubo de Refrigeração KR FR Tube de Refroidissement KR

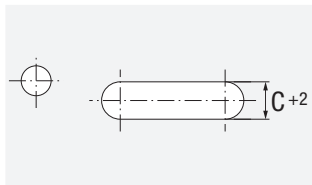
● Cad Insertion Point



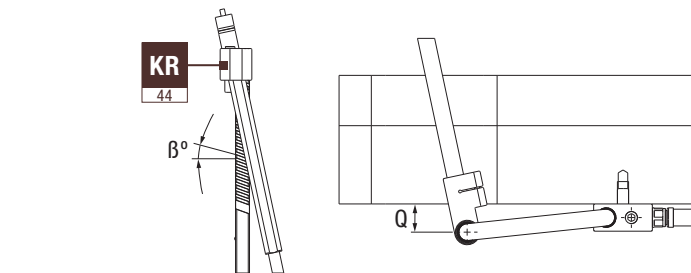
Ref.	A	C	D	E	F	H	M	N	O	P	U	Compatible With
FC.220500	40	15	18	483.5	16.5	31	M8x1	3.5	3	8	10	KR.22125L
FC.280500	50	18	25	475	25	41	M10x1	4.5	4	10	16	KR.28125L
FC.340500	50	18	25	475	25	41	M12x1	5	4.5	12	16	KR.34125L

Installation Guidelines

Consejos de Instalación · Richtlinien zur Installation · Consigli di Installazione · Instruções de Instalação · Mode d'Installation



IMPORTANT



R ef.	Q					
	$\beta \leq 0^\circ$	$0^\circ < \beta \leq 10^\circ$	$10^\circ < \beta < 20^\circ$	$20^\circ < \beta < 25^\circ$	$25^\circ < \beta \leq 30^\circ$	$30^\circ < \beta \leq 35^\circ$
KR.xx125L-8	10	15	18	20	23	25
KR.xx125L-12	10	16	22	25	29	-
KR.xx125L-16	10	18	26	31	-	-
KR.xx125L-20	10	20	31	-	-	-

FC

UNDERCUTS



Max. 80°C