

ADJUSTABLE FIXING

ES Fijación Regulable DE Einstellbare Befestigung
 IT Fissaggio Regolabile PT Fixação Regulável FR Fixation Reglable

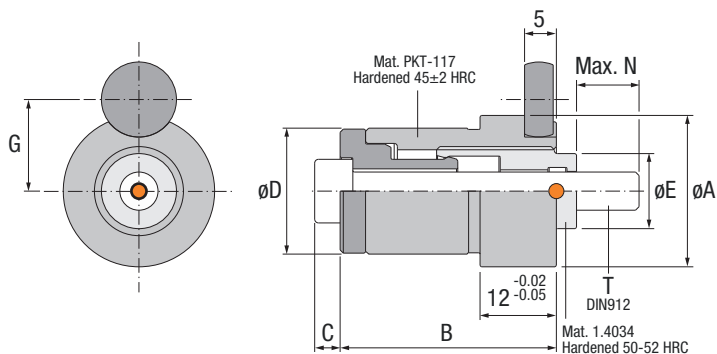


RF

UNDERCUTS



● Cad Insertion Point



Ref.	A	B	C	D	E	G	H	J	N	T	S	Compatible with
RF.161605	19.8	34	3	15.8	7.8	12.5	20	16	18	M5x45	8	DR16
RF.222006	23.8	34	4	19.8	11.8	14.5	24	20	18	M6x45	12	DR22/KR22
RF.282408	27.8	42	0	23.8	13.8	16.5	28	24	20	M8x50	14-16	DR28/DR34/KR28/KR34
RF.403210	35.8	42	0	31.8	19.8	20.5	36	32	24	M10x50	20-24	DR40/DR46

Installation Guidelines

Consejos de Instalación · Richtlinien zur Installation · Consigli di Installazione · Instruções de Instalação · Mode d'Installation

