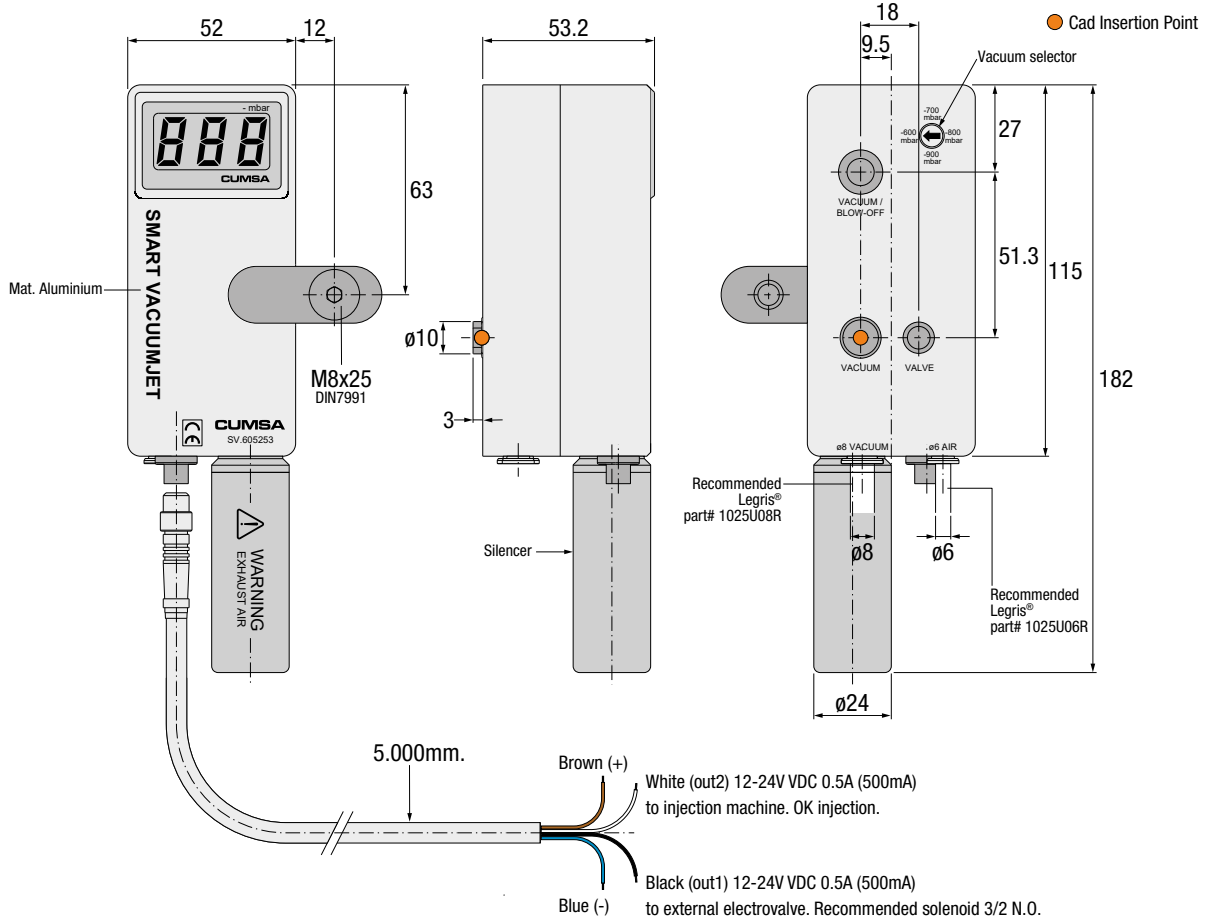


SV

VACUUM



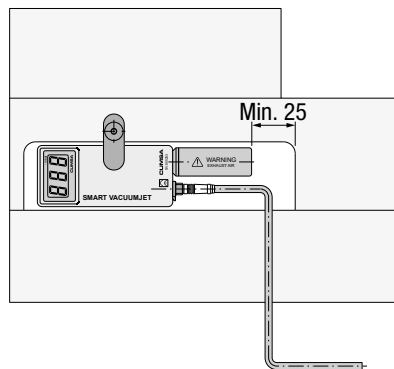
Patented



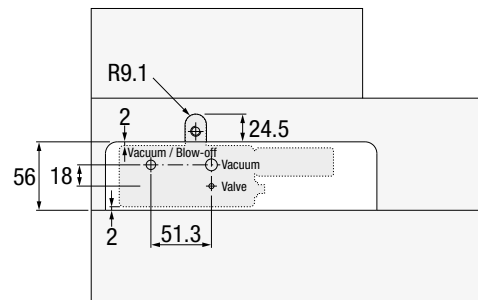
Ref.	Supply Pressure	Max. Vacuum	Max. Flow	Consumption
SV.605253	5-6 BAR	-900 mbar	75 L./ Min.	60 L./ Min.

Installation Guidelines

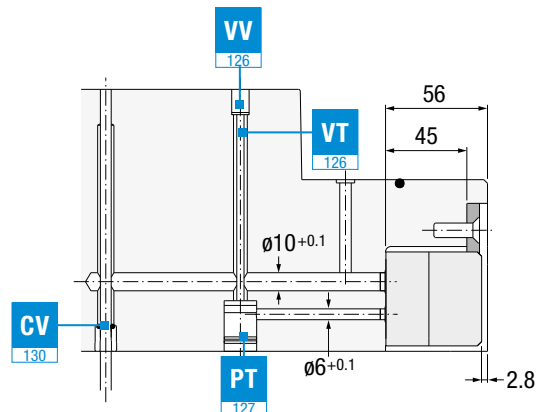
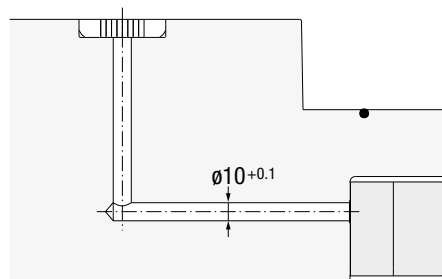
Consejos de Instalación · Richtlinien zur Installation · Consigli di Installazione · Instruções de Instalação · Mode d'Installation



Vacuum / Blow-off Section



Vacuum Section



INSTALLATION GUIDELINES

ES Consejos de Instalación DE Richtlinien zur Installation
IT Consigli di Installazione PT Instruções de Instalação FR Mode d'Installation



SV

VACUUM

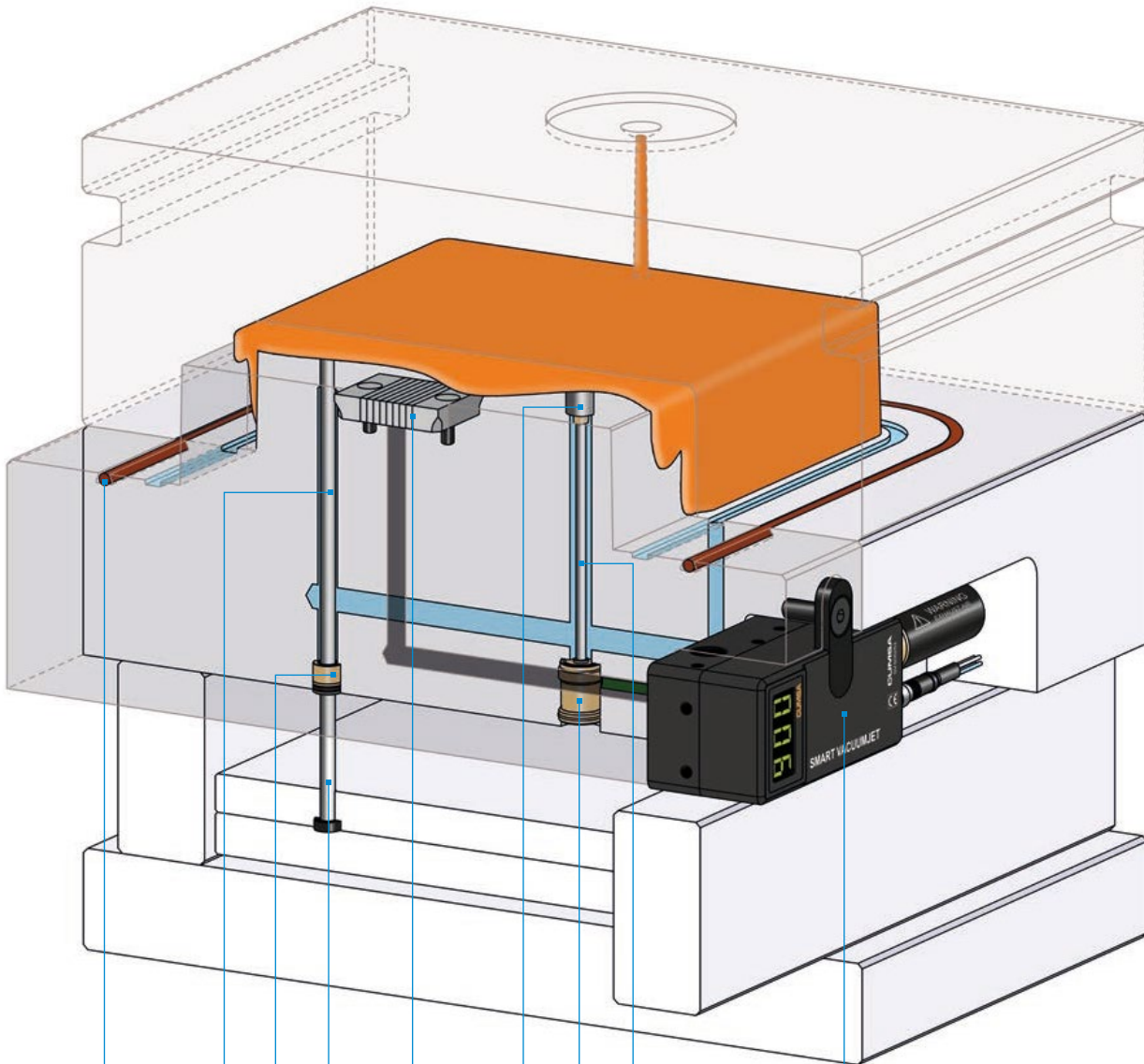


Patented



Vacuum

Blow-off



JV
132

PH
130

CV
130

NP
128

LV
131

VV
126

PT
127

VT
126

SV
118