

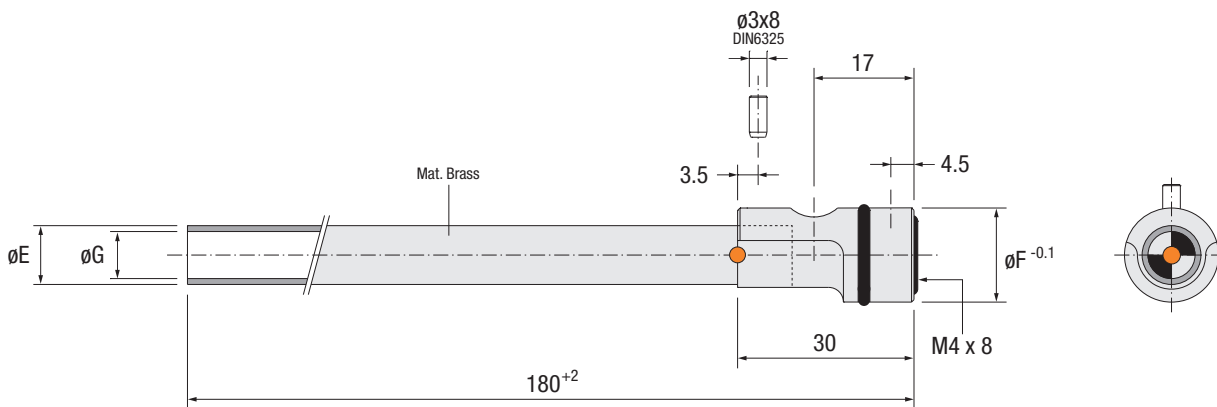
SEAL BEARING TUBE

ES Tubo Junta Rotativa DE Dichtscheibenrohr

IT Tubo Alimentatore Rotativo PT Tubo Junta Rotativa FR Tube Joint Rotatif



● Cad Insertion Point



Ref.	E	F	G
TB.061230	6	12	4
TB.081430	8	14	6
TB.101630	10	16	8
TB.122030	12	20	10

ACCESSORIES



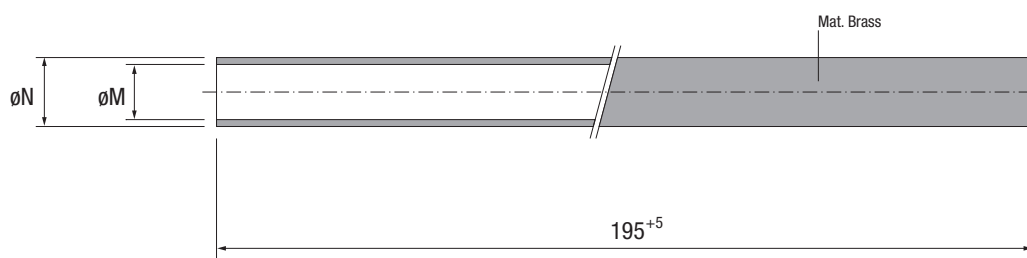
Patented

TB

BRASS PIPE

ES Tubo Laminado DE Messingrohr

IT Tubo Laminato PT Tubo Laminado FR Tube Standard



Ref.	M	N
TL.040620	4	6
TL.060820	6	8
TL.081020	8	10
TL.101220	10	12

ACCESSORIES



TL